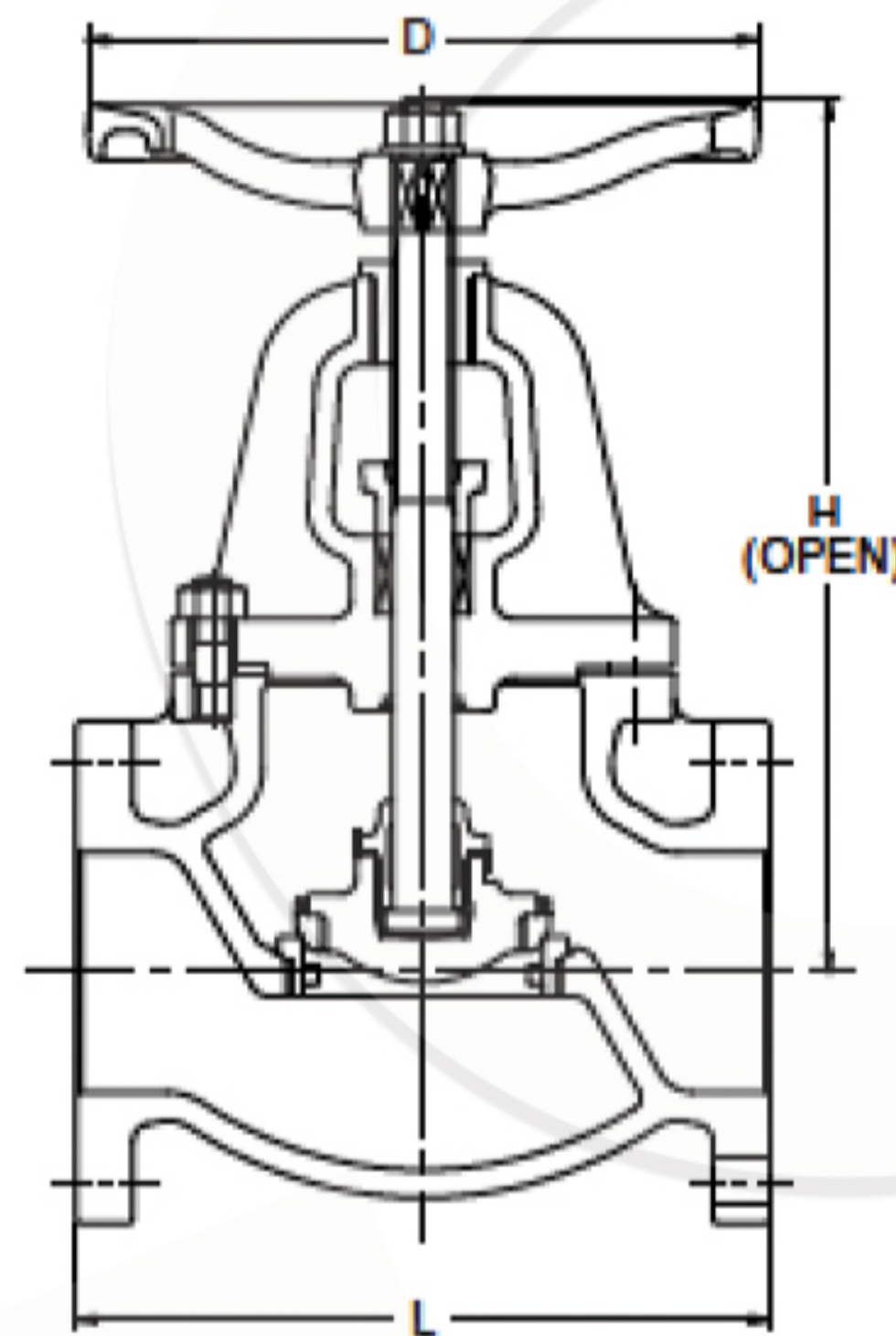


CLASS 125 IRON GLOBE VALVE

Bolted bonnet, outside screw & yoke, rising stem.

Fig. 125FCJS

• Stainless steel trim
(13 Cr.)



Materials

Parts	Material	ASTM Spec.	
		125FCJ	125FCJS
Body	Cast Iron	A126 CL. B	
Bonnet	Cast Iron	A126 CL. B	
Stem	Brass/Stainless Steel	B124 C37700	A276 type403
Disc	2 only	Bronze/Stainless Steel	B62 A276 type403
	2 1/2 & larger	Cast Iron	A126 CL. B
Disc seat ring	Bronze/Stainless Steel	B62	A276 type403
Body seat ring	Bronze	B62	A276 type403
Gland	Ductile Iron		
Gland packing	Asbestos-free		
Gasket	Asbestos-free		
Gland bolt/nut	Carbon Steel		
Bonnet bolt/nut	Carbon Steel		
Yoke bushing	Bronze	B62	
Hand wheel	2 to 6	Cast Iron	
	8 only	Ductile Iron	

For ASME Valves Pressure-Temperature Ratings, refer to page 2.

Dimensions

Valve Size	NPS DN	2	2 1/2	3	4	5	6	8	mm
L Face-to-face	50	203	216	241	292	330	356	495	
H Height (OPEN)		277	307	353	404	454	533	642	
D Handwheel Diameter		180	180	225	280	300	350	450	